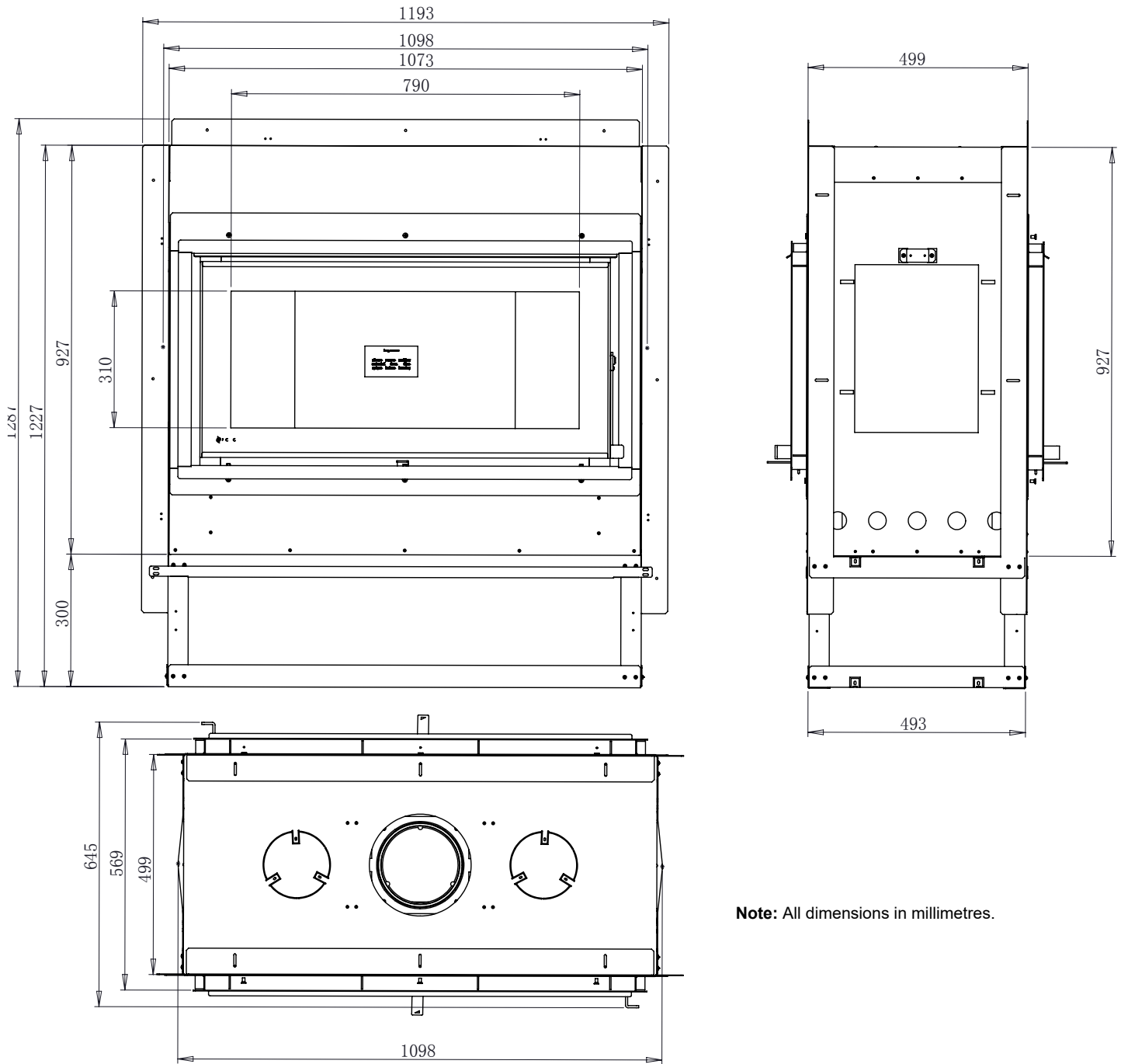


UNIT DIMENSIONS



**Note:** All dimensions in millimetres.